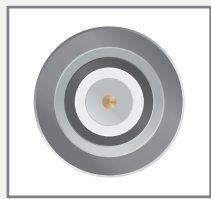


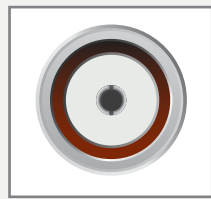
Adapter RP-SMA plug > RP-TNC jack



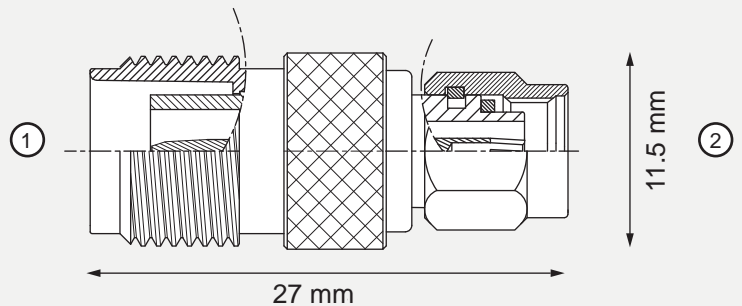
CE



① PR-TNC jack



② PR-SMA plug



Body
Nickel plated brass



Pin
Gold plated brass



Length
27 mm



Impedance
50 Ω