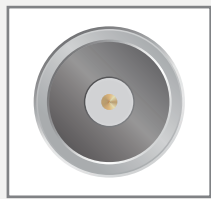


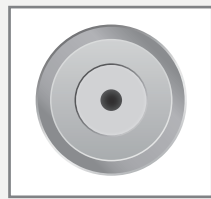
Adapter F jack > F plug 90°



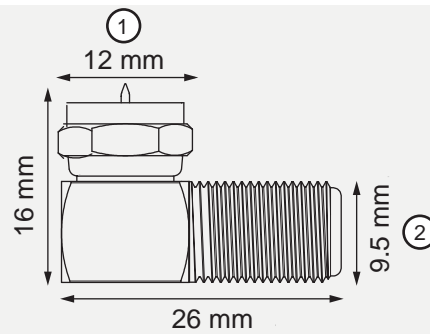
CE



① F plug



② F jack



Angled 90°



Housing material
Nickle plated brass



Length
26 x 16 mm



diameter
HEX 11 mm
max. 12mm



Impedance
75 Ω