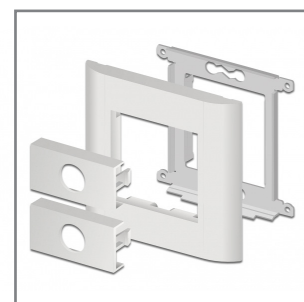
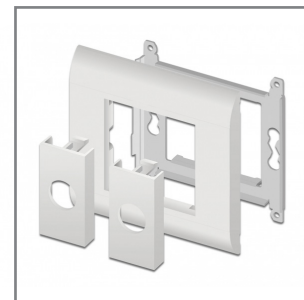
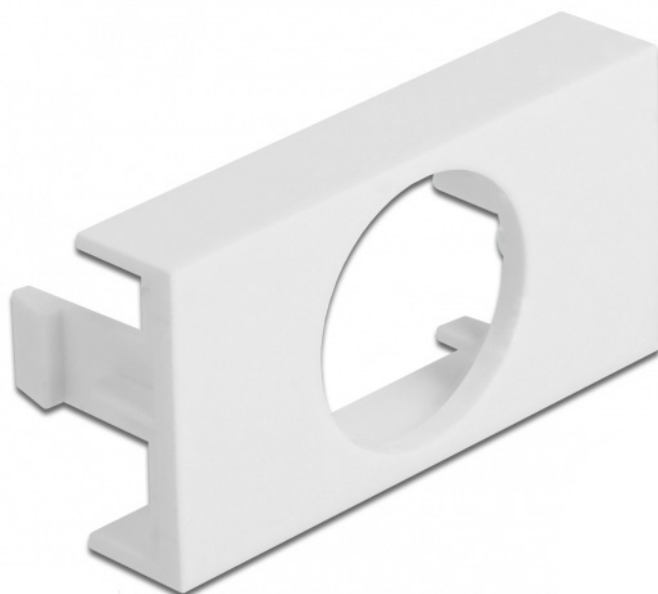


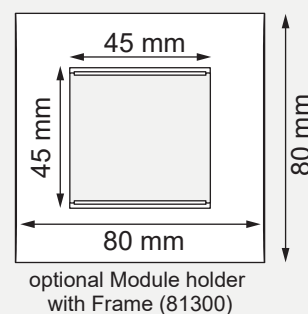
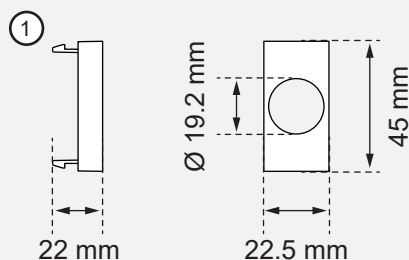
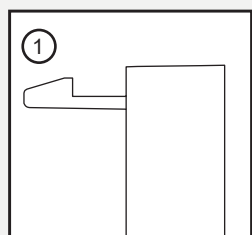
Easy 45 Module Plate round cut-out Ø19.2 mm, 45 x 22.5 mm

- Suitable for module holder Delock Easy 45
- Suitable for 45 mm cable duct with minimum depth 45 mm

White



MADE IN TAIWAN



Dimensions
45.0 x 22.5 x 22.0 mm



Module Size
22.5 x 45 mm



cut-out
Ø 19.2 mm



Material
PC plastic